



Description

This fully electronic dynamometer in the measuring range up to 1000 kg is very versatile due to the compact design of the tension rod. With its low self-weight and the easy adaptation possibilities, this dynamometer is ideally suited to being used as crane scale or for measuring tensile forces. The tension rod is adapted via fork heads or the hook which is also included in the delivery. The hand-held terminal connected via cable shows the measured values in 1 kg-steps. Container empty weights can be tared via a button; the maximum measured load value is displayed at the touch of a button.

You can request the firmware version, the date of the last calibration and the serial number of your device via an easy-to-use menu. In this menu, you can also set the auto-off time for saving the batteries, the desired measuring rate and the display contrast.

Four batteries of type AA which can be easily replaced by the user supply the dynamometer.

Features

- | Nominal load 1000 kg
- | Display in 1 kg-steps
- | Zero positioning and taring
- | Measure the maximum load
- | Self-weight <1.5 kg
- | 4 x batteries type AA
- | Requests/settings via one menu
- | incl. hook and two fork heads
- | Clamping length 209 mm with hook
(see illustration on reverse side)

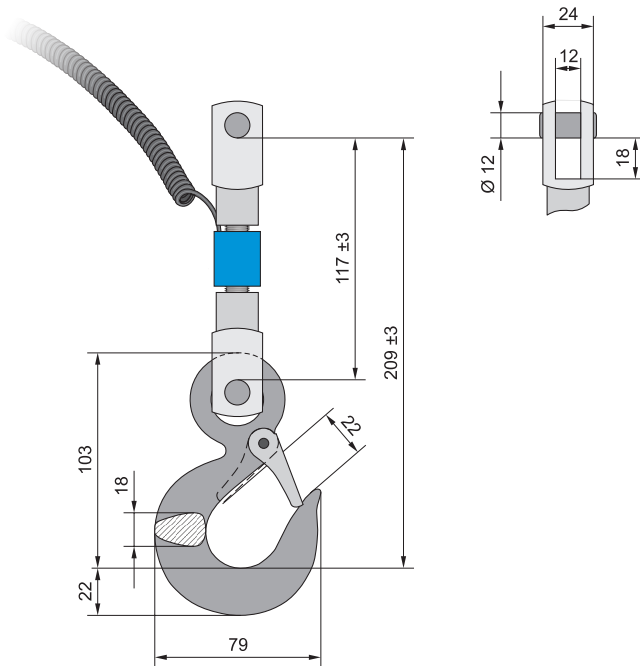
Applications

- | Crane scale
- | Tension force measurement
- | Weighing in agriculture

Technical data

Nominal load	1000 kg
Overload	1200 kg
Display	12 digits, 2 lines
Sensitivity/display steps	1 kg
Accuracy	±0.5% f.s.
Measuring rate	configurable: 10, 20 or 100 Hz
Power supply	4 x batteries type AA
Operating time	> 8 h continuous operation
Auto-off time	configurable: 8, 30, 60 min / off
Operating temperature range	0 °C to +50 °C
Storage temperature range	-20 °C to +70 °C
Protection class	
of the hand-held terminal	IP 40
of the tension rod	IP 67
Material and dimensions	
of the hand-held terminal	ABS, 78 mm x 145 mm x 44 mm (w x l x h)
Total weight	1.3 kg
Connection cable	Spiral cable, length 0.5 m / 4 m extended

Dimensions of the tension rod with hook and fork heads



Dimensions in mm