**Description**

Using RW 9.1 wheel load scales, you can simply and precisely measure wheel loads, axle loads, and the total weight of trucks, heavy-load vehicles and special vehicles with pneumatic tyres. Loads of up to 10,000 kg per scale are permissible. Vehicles with twin wheels can be readily weighed using these 60 cm-wide wheel load scales.

These wheel load scales are also very suitable for mobile use. They are easy to transport and set up on site. The integral rollers make it easy to align weighing platforms to the wheel sets. It is acceptable to drive on to the scales without ramps, but better and easier with them. For weighing axle loads and total vehicle weights, cables must be used to connect several wheel load scales together.

Measurements can be read either on a hand terminal or on a PC using our wheel-load-scale software. Up to four wheel load scales can be combined for use with a hand terminal. Depending on the number of scales and how they are arranged, the left-hand wheel load, the right-hand wheel load, the axle load, and the total load can be displayed on the hand terminal. Naturally, every system can be tared.

Alternatively, you can see, save and record measurement data on a PC using wheel-load-scale software. Data can also be exported to Microsoft Excel. The program can evaluate up to 20 wheel load scales simultaneously.

Features

- | high accuracy
- | low self-weight
- | compact design
- | nominal load 10,000 kg
- | anti-slip rubber feet
- | maintenance-free
- | can be combined with Type RW 8.1 wheel load scales (nominal loads 1000 / 2000 / 8000 kg)

Applications

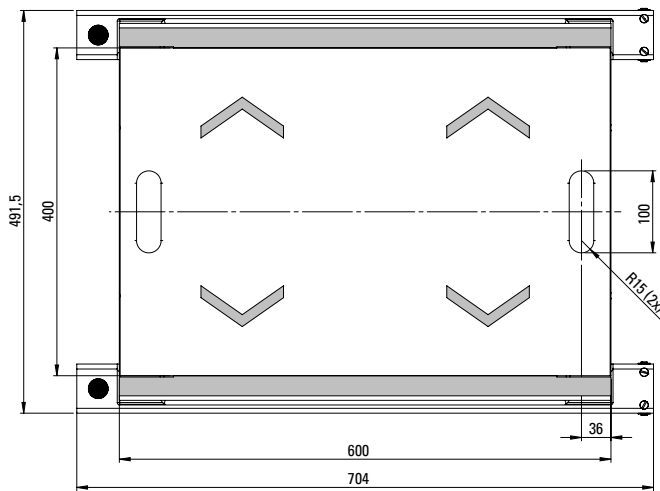
- | weighing trucks
- | weighing heavy-load vehicles and road vehicles with pneumatic tyres
- | for weighing loads
- | determining vehicle load distribution
- | weighing axle loads
- | suspension setting

Technical Data

Type	Nominal load	Sensitivity / display increments *	Accuracy	Self-weight
RW9.1 / 10,000	10000 kg	5 kg	±15 kg	28 kg
Overload	12,000 kg			
Power supply	Mains adapter 220V / 12VDC Alternative: mobile power supply or connection to vehicle's electrical system 12VDC			
Operating temperature range	-10 °C up to +50 °C			
Storage temperature range	-30 °C up to +70 °C			
Degree of protection				
Scales	IP 65			
Hand terminal	IP 40			
Converter	IP 40			

* Other display increments on request

Dimensions



Weighing area w 600 mm x l 400 mm
Wheel load scale w 704 mm x l 491,5 mm
Height 45 mm

Dimensions in mm

Evaluation on hand terminal

HT3.2 2-platform systems
display of each wheel load and the axle load
display of total load by adding the axle loads

HT4.2 2-platform systems
integrated printer
display of each wheel load and the axle load
print-out with all axle loads
print-out of total load by adding the axle loads

HT3.4 2/4-platform systems
display of wheel loads, axle loads and the total load

HT4.4 2/4-platform systems
integrated printer
display and printout of wheel, axle and total loads

Evaluation on a PC

RW-Software 2.0
(without hand terminal)

For up to 20 wheel load scales
Displays all weighing data
Prepares a weighing report
Export to Microsoft Excel
Operating systems:
Win 2000, XP, Vista, Win 7

Accessories

Ramps Aluminium treadplate
w 662 x l 259 x h 45 mm