



Description

With this aircraft scale, you have a powerful weighing system for weighing ultralight aircraft, gliders, motorized gliders and powered aircraft. All the weighing platforms can be freely combined with one another, and are connected to a display terminal by cable. Both the individual platform weights and the total weight of all connected weighing platforms are displayed.

The flat weighing platforms are easy to transport and can be set to work on site by a single person. The use of the latest technology means it is no longer necessary to centre the wheels accurately on the weighing platforms.

For gliders, we recommend a combination of the platforms RW 1.0. For powered aircraft up to 5700 kg, we recommend the RW 8.1 platform in the load range up to 2000 kg, used in conjunction with up to 3 similar weighing platforms. It is also possible to combine the platforms RW 1.0 and the platforms RW 8.1.

Features

- | highest accuracy
- | low self-weight
- | shallow construction
- | nominal loads 100/500/1000/2000/8000 kg (other nominal loads on request)
- | maintenance-free

Applications

- | aircraft weight checks
- | wing weight determination
- | centre of gravity determination

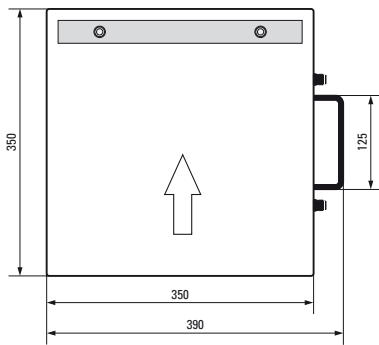
Technical data

Type	Nominal load	Sensitivity / display increments	Accuracy	Self-weight
RW 1.0 / 100	100 kg	0.1 kg	±0.2 kg	9 kg
RW 1.0 / 500	500 kg	0.2 kg	±0.5 kg	9 kg
RW 8.1 / 1000	1000 kg	1 kg	±1 kg	15.1 kg
RW 8.1 / 2000	2000 kg	1 kg	±1 kg up to 400 kg ±2 kg above 400 kg	15.1 kg
RW 8.1 / 8000	8000 kg	5 kg	±5 kg up to 500 kg ±10 kg above 500 kg ±15 kg above 5000 kg	17.6 kg

Number of weighing platforms 1 to 3
 Supply plug-in power supply 220 V / 12 V DC
 or alternatively plug for aircraft 12 V DC supply

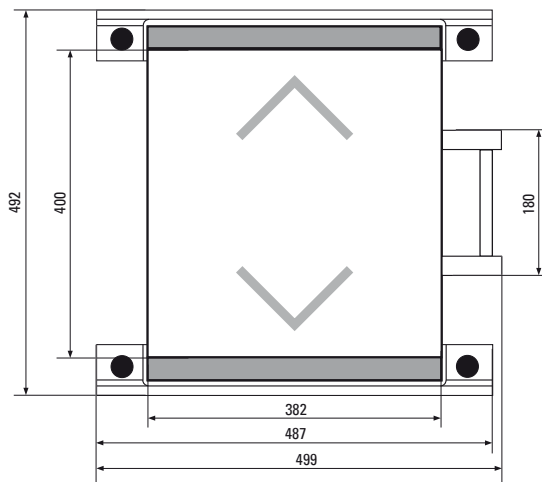
Dimensions

RW 1.0



Weighing area 350 mm x 350 mm
 Weighing platform height 35 mm

RW 8.1



Weighing area 382 mm x 400 mm
 Weighing platform height 40 mm

measurements in mm

Hand terminals

HT 3.3 for 3-platform-systems
 display of the individual wheel loads and total weight

HT 4.3 for 3-platform-systems
 integrated printer
 display of the individual wheel loads and total weight
 printout of the individual wheel loads and total weight

