



Description

With these aircraft scales you can weigh fixed-wing aircraft and helicopters safely and accurately at their wheels. The scales are assembled according to your requirements from several wheel load scales with data transfer by cable and special software. The individual wheel load scales accepts loads up to 10000 kg. It is possible to combine different types of wheel load scales and different nominal loads. The flat weighing platforms are easy to transport and can be used on site by a single person.

With the aid of the appropriate aircraft weighing software, you can evaluate up to 20 wheel load scales on a PC. The display shows the individual wheel loads, the loads on each side, and the total load. Measurement data can be saved, printed, and exported to Microsoft Excel.

These scales can be used to weigh many different types of aircraft: ultra-lights, gliders, powered gliders, powered aircraft, historic aircraft, business and commercial jets, and helicopters. Typical applications are routine weight checks and centre of gravity determinations, and weight checks following repair or modifications to an aircraft.

Features

- | height accuracy
- | low self-weight
- | flat design
- | nominal loads from 100 kg to 10000 kg (other nominal loads on request)
- | maintenance-free

Applications

- | weight checks
- | centre of gravity determination

Technical data for scales

System components	Type RW 1.0 / 8.1 / 9.1 wheel load scales Converter box with mains adapter Cable connections Aircraft Scales Software 1.0
Power supply	Mains adapter 220V / 12VDC Alternative: mobile 12V power supply or vehicle network
Connecting cable	Unitronic FD-CP / 4x0.25 mm ² , 4, 10, 15 or 25 m long (other lengths on request)
Degree of protection of converter	IP 40

Selection table for wheel load scales

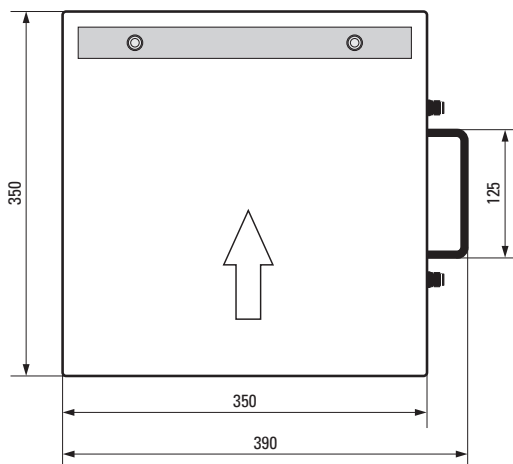
Type	Nominal load	Sensitivity, display step	Accuracy	Weight of scale
RW 1.0 / 100	100 kg / 200 lb	0.1 kg / 0.1 lb	±0.2 kg	9 kg
RW 1.0 / 500	500 kg / 1000 lb	0.2 kg / 0.2 lb	±0.5 kg	9 kg
RW 8.1 / 1000	1000 kg / 2000 lb	1 kg / 1 lb	±1 kg	15.1 kg
RW 8.1 / 2000	2000 kg / 4000 lb	1 kg / 1 lb	±1 kg up to 400 kg ±2 kg over 400 kg	15.1 kg
RW 8.1 / 8000	8000 kg / 16000 lb	5 kg / 5 lb	±5 kg up to 500 kg ±10 kg up to 5000 kg ±15 kg over 5000 kg	17.6 kg
RW 9.1 / 10000	10000 kg / 20000 lb	5 kg / 5 lb	±15 kg	28 kg

Technical data for wheel load scales

Measurement principle	Strain gauge
Overload	1.2-times nominal load
Operating temperature range	-10 °C to +50 °C
Storage temperature range	-30 °C to +70 °C
Degree of protection of RW 1.0	IP 40
Degree of protection of RW 8.1 / 9.1	IP 65

Dimensions

RW 1.0



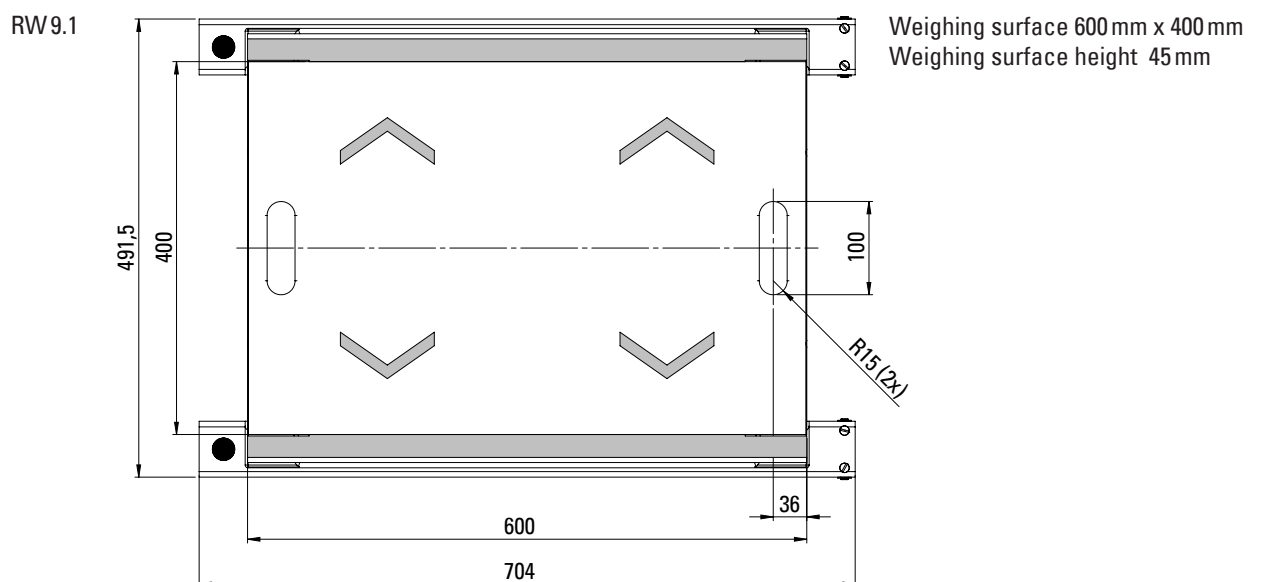
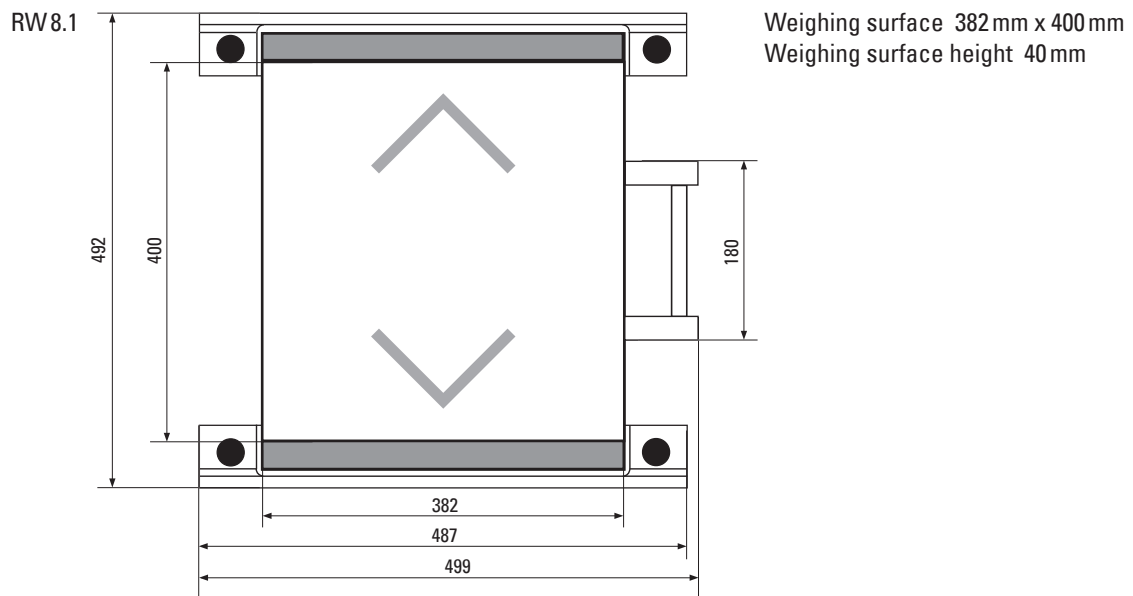
Weighing surface 350 mm x 350 mm
Weighing surface height 35 mm

Dimensions in mm

Aircraft scales: Weighing at the wheels

Product information

Dimensions



Dimensions in mm

Aircraft Scales Software 1.0

Connection of 1 to 20 wheel load scales

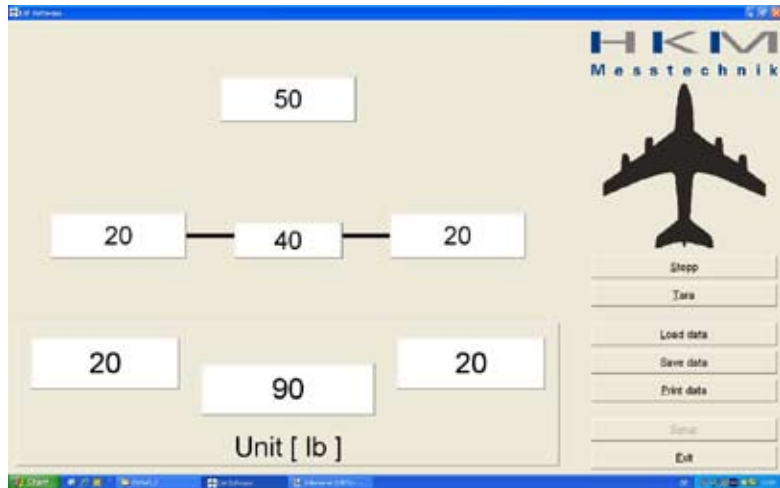
Display all loads

Prepare a weighing report

Export to Microsoft Excel

Operating systems:

Win 2000, XP, Vista and Win 7



HKM-Messtechnik GmbH
 Ziegelhofstrasse 228
 79110 Freiburg
 GERMANY

Group	Left	Middle	Right	Sum
1	X	50	X	50
2	20	X	15	35
Sum	20	50	15	85

Aircraft class : Air Plane
 Type of aircraft : ATR42-200
 Aircraft registrad. : D-Cxxx
 Airline : Air Freiburg
 Weight empty : 9972 kg
 max.Take-off-weight : 15749 kg

Notice : _____

Time : 11:29
 Date : 01.06.2010 Signature : _____

Options

Ramps	Aluminium treadplate
Wheel stop	on RW 1.0, screw mounted on RW 8.1 / 9.1 plugged in
Carrying case	for up to four RW 8.1s
Hand terminal	Displays and evaluates up to 4 wheel load scales