



Description

With these aircraft scales you can weigh fixed-wing aircraft and helicopters safely and accurately at their jack points. The scales are assembled according to your requirements from several jack point scales with data transfer by cable or radio and special software. The individual weighing units can accept loads up to 50000 kg per jack point. It is possible to combine weighing units with different nominal loads.

With the aid of the appropriate aircraft weighing software, you can evaluate up to six weighing units on a PC. The display shows the individual loads at jack points, the loads on each side, and the total load. Measurement data can be saved, printed, and exported to Microsoft Excel.

These scales can be used to weigh many different types of aircraft: powered aircraft, historic aircraft, business and commercial jets, and helicopters. Typical applications are routine weight checks and centre of gravity determinations, and weight checks following repair or modifications to an aircraft.

Features

- | height accuracy
- | simple handling
- | compact design
- | nominal loads from 500 kg to 50000 kg per jack point
- | Certification of sensors to OIML R60
- | maintenance-free

Applications

- | weight checks
- | centre of gravity determination

Technical data for scales

Cable-connected version

System components	Jack-point weighing units Type JW, including AD converter and connector socket Converter box with mains adapter Cable connections Aircraft Scales Software 1.0
Power supply	Mains adapter 220V / 12VDC Alternative: mobile 12V power supply or vehicle network
Connecting cable	Unitronic FD-CP / 4x0.25 mm ² , 4, 10, 15 or 25 m long (other lengths on request)
Degree of protection of converter	IP 40

Version with radio transmission

System components	Type JWF jack-point weighing units, including radio transmitter and batteries Radio-USB stick, 2.4 GHz Mains adapter 220V Aircraft-weighing Software 1.0
Range	Up to 50 m
Power supply	Integral batteries, operating time ca. 15 h

Selection table for jack point weighing units

Type	Nominal load	Display steps for cable-connected weighing units, Type JW	Display steps of weighing units with radio transmission, Type JWF
JW(F) 1.0	500 kg / 1000 lb	0.1 kg / 0.1 lb	0.2 kg / 0.2 lb
JW(F) 2.0	1000 kg / 2000 lb	0.1 kg / 0.1 lb	0.5 kg / 0.5 lb
JW(F) 3.0	2000 kg / 4000 lb	0.5 kg / 0.5 lb	1 kg / 1 lb
JW(F) 4.0	5000 kg / 10000 lb	1 kg / 1 lb	2 kg / 2 lb
JW(F) 5.0	10000 kg / 20000 lb	1 kg / 1 lb	5 kg / 5 lb
JW(F) 6.0	30000 kg / 60000 lb	5 kg / 5 lb	10 kg / 10 lb
JW(F) 7.0	50000 kg / 100000 lb	5 kg / 5 lb	20 kg / 20 lb

Technical data for jack point weighing units

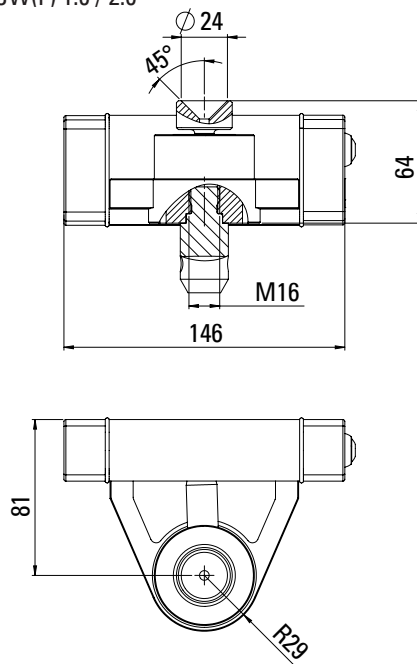
Measurement principle	Strain gauge
Overload	1.25-times nominal load
Accuracy	±0.1 % f.s.
Operating temperature range	-10 °C to +40 °C
Storage temperature range	-30 °C to +70 °C
Degree of protection	IP 65

Aircraft scales: Weighing at jack points

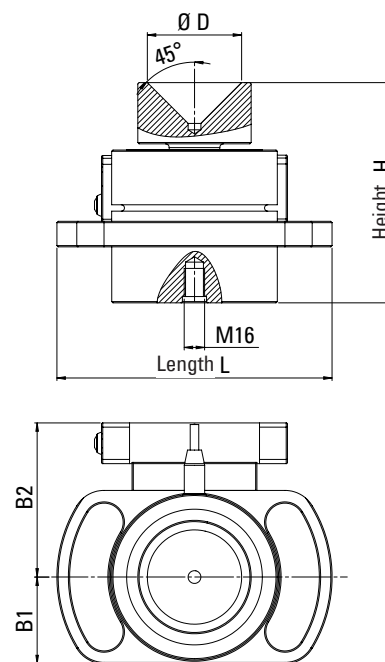
Product information

Dimensions of jack point weighing units

JW(F) 1.0 / 2.0



JW(F) 4.0 - 7.0



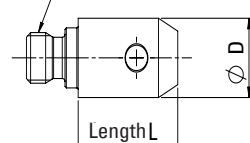
Type	Length L	Height H	B1	B2	D
JW(F) 4.0	180	98	49	101	30
JW(F) 5.0	180	109	49	101	53
JW(F) 6.0	206	135	63	116	64
JW(F) 7.0	216	173	68	121	74

Dimensions in mm

Dimensions of the adapter used to attach weighing units to the lifting devices

Cylindrical adapter

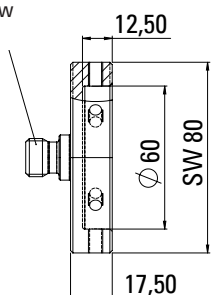
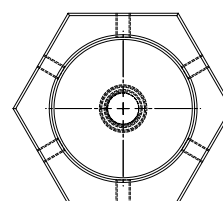
M16 thread to screw into weighing unit



Adapter	Length L	D
1	36.2	19.0
2	36.2	21.6
3	36.2	25.0

Hexagonal adapter

M16 thread to screw into weighing unit



Dimensions in mm

Aircraft Scales Software 1.0

Connection of 1 to 6 jack point weighing units

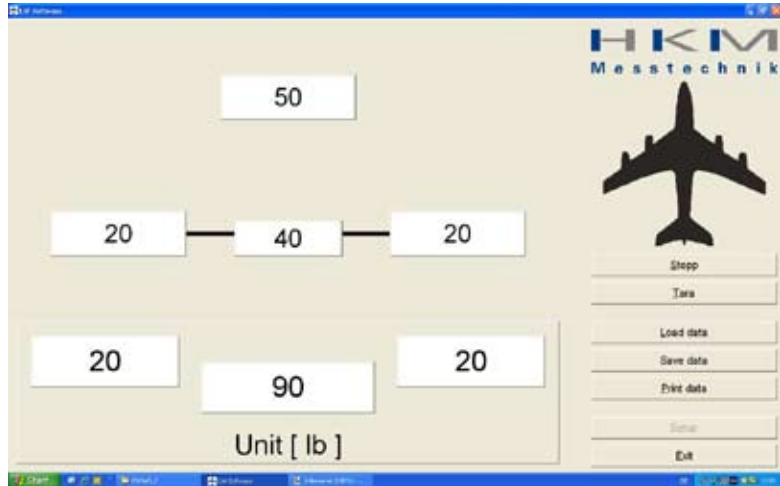
Display all loads

Prepare a weighing report

Export to Microsoft Excel

Operating systems:

Win 2000, XP, Vista and Win 7



HKM-Messtechnik GmbH
 Ziegelhofstrasse 228
 79110 Freiburg
 GERMANY

Group	Left	Middle	Right	Sum
1	X	50	X	50
2	20	X	15	35
Sum	20	50	15	85

Aircraft class : Air Plane
 Type of aircraft : ATR42-200
 Aircraft registrad. : D-Cxxx
 Airline : Air Freiburg
 Weight empty : 9972 kg
 max.Take-off-weight : 15749 kg

Notice : _____

Time : 11:29
 Date : 01.06.2010 Signature : _____